

# TRIVE™

Access & Power Integration

## Trove2KH2

- Trove2 enclosure with Altronix/Kantech backplane (TKH2)

## TKH2

- Altronix/Kantech backplane only

## Installation Guide



All registered trademarks are property of their respective owners.

Rev. TKH\_103017

Installing Company: \_\_\_\_\_ Service Rep. Name: \_\_\_\_\_

Address: \_\_\_\_\_ Phone #: \_\_\_\_\_

## Overview:

Trove2KH2 accommodates various combinations of Kantech boards with or without Altronix power supplies and accessories for access systems.

## Specifications:

- 16 Gauge grey backplane and enclosure with ample knockouts for convenient access.

### Trove2KH2

Trove2 enclosure with TKH2 Altronix/Kantech backplane.

- Includes: tamper switch, cam lock, and mounting hardware.  
Enclosure Dimensions (H x W x D): 27.25" x 21.75" x 6.5" (692.15mm x 552.5mm x 165.1mm).

### TKH2

Altronix/Kantech backplane only

- Includes mounting hardware.  
Dimensions (H x W x D): 25.375" x 19.375" x 0.3125" (644.5mm x 482.6mm x 7.9mm).

### TKH2 accommodates a combination of the following:

#### Altronix Modules:

- One (1) AL400ULXB2, AL600ULXB, AL1012ULXB, AL1024ULXB2, eFlow4NB, eFlow6NB, eFlow102NB, or eFlow104NB.
- Up to two (2) ACMS8(CB), ACM8(CB), ACMS12(CB), LINQ8ACM(CB)
- One (1) T1618300.
- Two (2) PDS8(CB), PDS16(CB), VR6, ACM8(CB), MOM5, PD4UL(CB), PD8UL(CB), ACM4(CB), LINQ8PD(CB).

#### Kantech Boards:

- Up to three (3) KT-MOD-INP16 or KT-MOD-OUTP16.
- Up to two (2) KT-1.
- Up to three (3) KT-400.

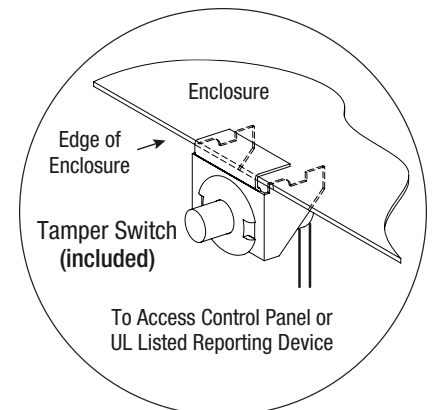
## Agency Listings:

- UL 294 - 6th edition: Line Security I, Destructive Attack I, Endurance IV, Stand-by Power II\*.  
\* Stand-by Power Level I if no battery is supplied.
- This Class B digital apparatus complies with Canadian ICES-003.  
Cet appareil numérique de la classe B est conforme à la norme NMB-003 du Canada.
- CE European Conformity.

## Installation Instructions for Trove2:

1. Remove backplane from enclosure prior to mounting (do not discard hardware).
2. **Trove2KH2 (Pg. 4):** Mark and predrill holes on the wall to line up with the top three keyholes in the enclosure. Install three upper fasteners and screws in the wall with the screw heads protruding. Place the enclosure's upper keyholes over the three upper screws; level and secure. Mark the position of the lower three holes. Remove the enclosure. Drill the lower holes and install the three fasteners. Place the enclosure's upper keyholes over the three upper screws. Install the three lower screws and make sure to tighten all screws.
3. Mount included UL Listed tamper switch (Altronix Model TS112 or equivalent) in desired location, opposite hinge. Slide the tamper switch bracket onto the edge of the enclosure approximately 2" from the right side (*Fig. 1, pg. 2*). Connect tamper switch wiring to the Access Control Panel input or the appropriate UL Listed reporting device. To activate alarm signal open the door of the enclosure.
4. Mount Altronix/Kantech modules to TKH2 backplane, refer to *page 3*.

Fig. 1



## TKH2: Configuration of Altronix Power Supply and/or Sub-Assembly Boards and Kantech Boards

1. Fasten spacers (provided) to pems which match the hole pattern for Altronix Power Supply/Chargers or Altronix Sub-Assembly boards (Fig. 2, pg. 4).

Note: Please fasten metal spacers in the proper locations, see below (Fig. 2, pg. 4).

2. Mount boards to spacers utilizing 3/8" pan head screws (provided) (Fig. 2a, pg. 4).
3. Mount Altronix T1618300 transformer to backplane and connect it as follows (Fig. 2, pg. 4):
  - a. Place one metal washer on the bolt, then push bolt through the square hole from the rear of backplane (Fig. 2b, pg. 4, Step 1).
  - b. Place first rubber washer on the bolt (Fig. 2b, pg. 4, Step 2).
  - c. Mount T1618300 on the bolt (Fig. 2b, pg. 4, Step 2).
  - d. Place second rubber washer on the bolt. Mount concave metal plate on top of the rubber washer as shown on Fig. 2b, pg. 4, Step 2.
  - e. Place second metal washer on the bolt. Tighten assembly with the nut (Fig. 2b, pg. 4, Step 2).
  - f. T1618300's primary leads are black and white. Connect AC power 115VAC, 50/60Hz to them.
  - g. Measure output voltage across the secondary leads before connecting devices. This helps avoiding potential damage.
    - Yellow and Brown for 16VAC (open circuit voltage @ 115VAC approx. 16.6VAC).
    - Black and Brown for 18VAC (open circuit voltage @ 115VAC approx. 18.8VAC).
  - h. Connect 16VAC device(s) to Yellow and Brown leads or 18VAC device(s) to Black and Brown leads.
4. Mount appropriate Kantech boards into the correct positions (Fig. 2, pg. 4):
  - a. Position spacer over appropriate hole on the rear of backplane and depress it until it locks in place (Fig. 2c, pg. 4, Step 1a).
  - b. Depress down on board to secure it to the spacer (Fig. 2c, pg. 4, Step 1b).
5. Fasten backplane to Trove2 enclosure utilizing pan head screws (provided).

### Kantech Access Controller Position Chart for the Following Models:

Kantech Board	Pem Mounting
KT-400 Door Controller	Ⓐ
KT-1 Door Controller	Ⓑ
KT-MOD-INP16 or KT-MOD-OUTP16 Expansion Boards	Ⓒ

Fig. 2 - Trove2KH2/TKH2 Configurations

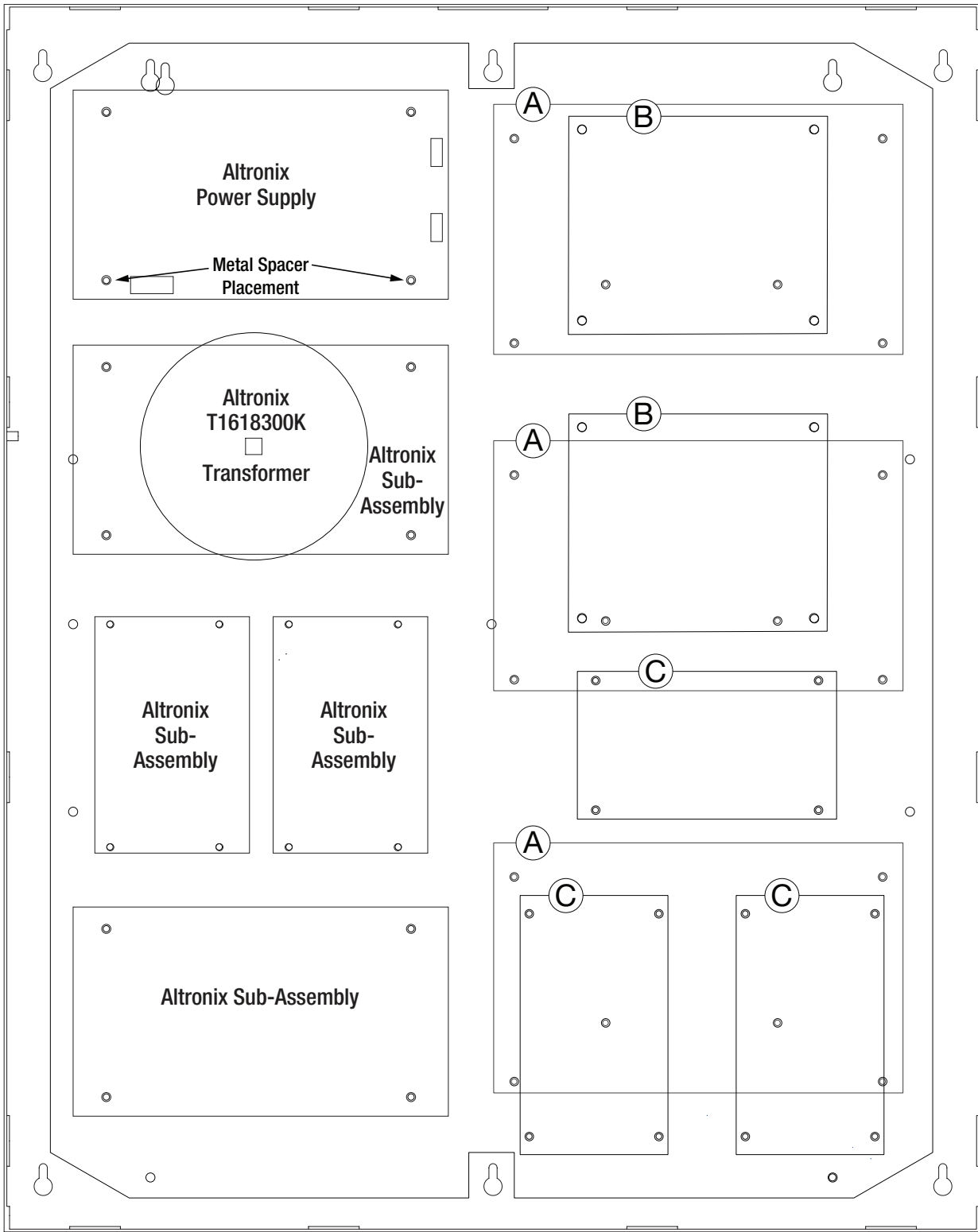


Fig. 2a

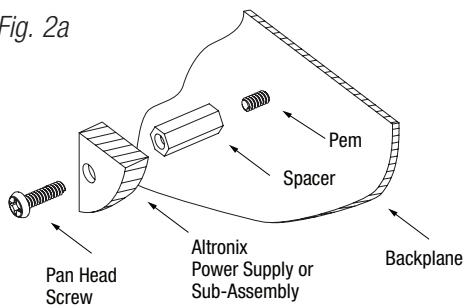


Fig. 2b

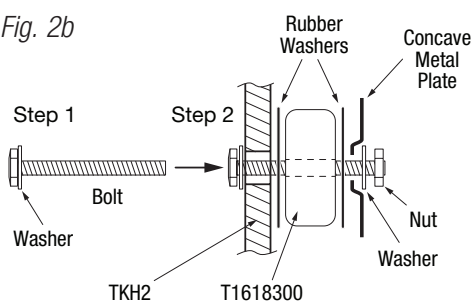
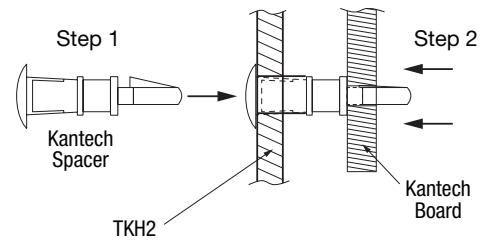


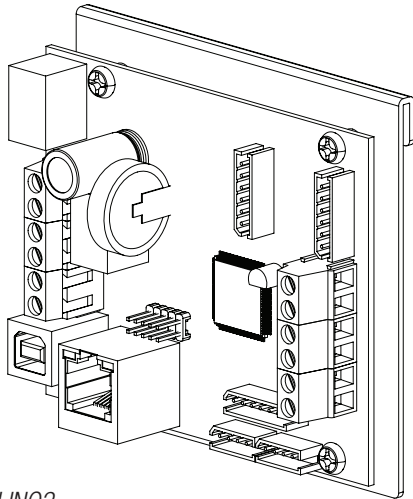
Fig. 2c



## Notes:



## eFlow Power Supply/Chargers can be Controlled and Monitored while Reporting Power/Diagnostics from Anywhere over the Network...



# LINQ™

### LINQ2 - Network Communication Module

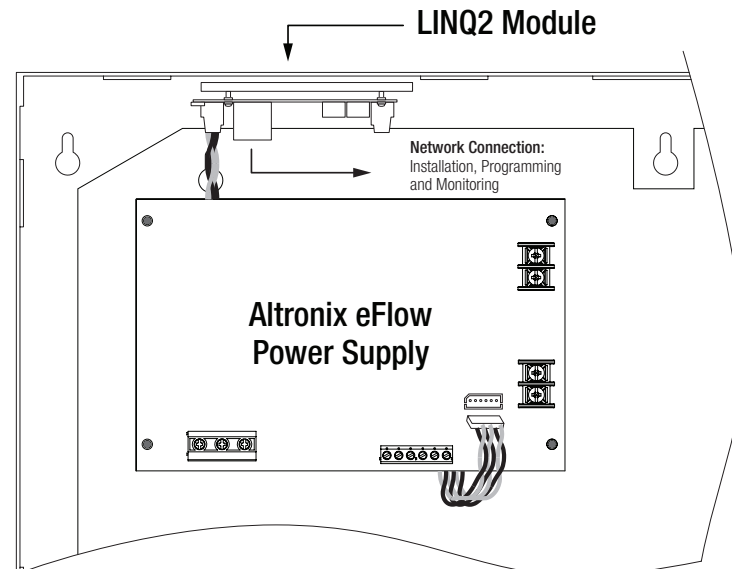
LINQ2 provides remote IP access to real-time data from eFlow power supply/chargers to help keep systems up and running at optimal levels. It facilitates fast and easy installation and set-up, minimizes system downtime, and eliminates unnecessary service calls, which helps reduce Total Cost of Ownership (TCO) - as well as creating a new source of Recurring Monthly Revenue (RMR).

LINQ2

### Features:

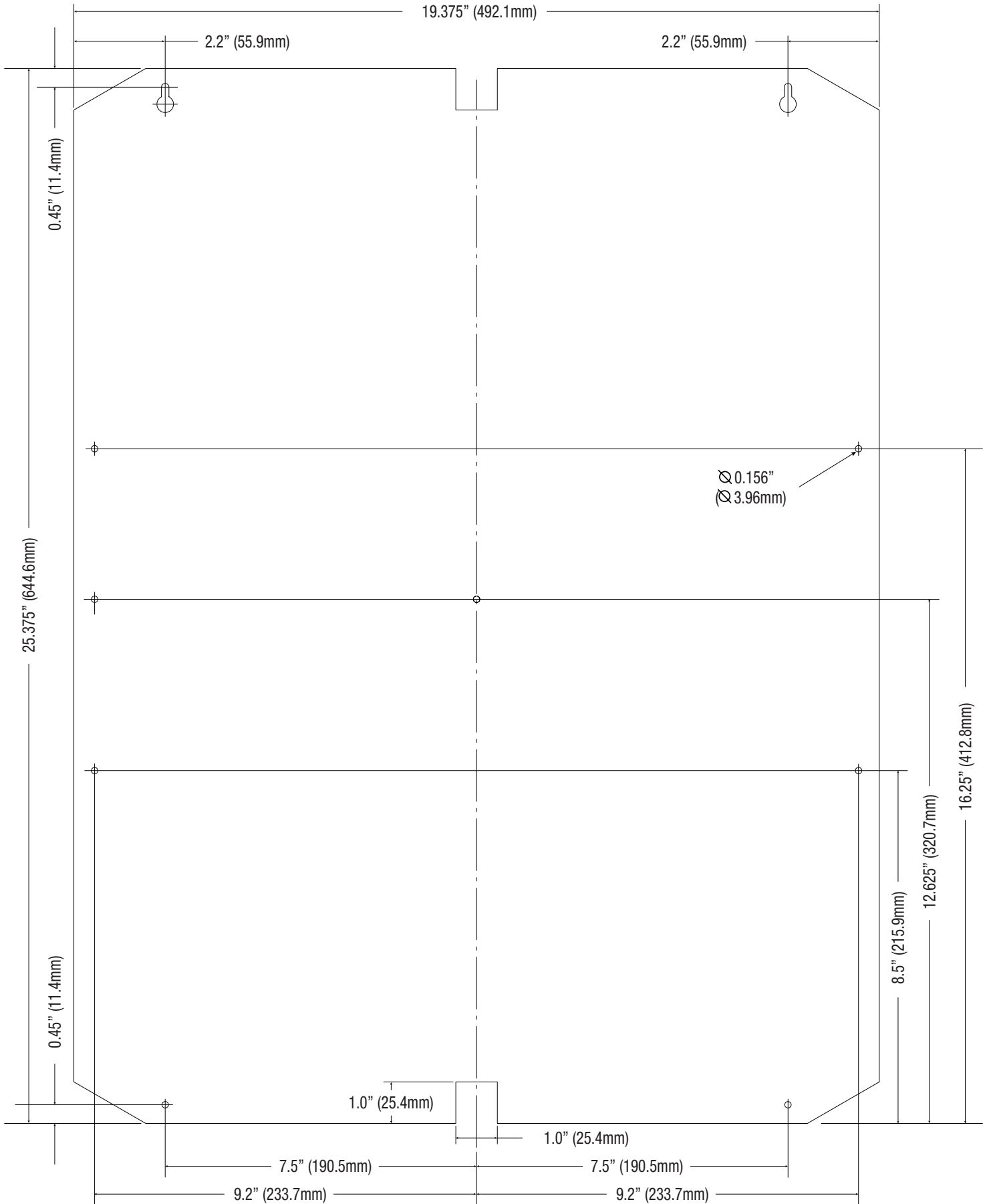
- UL Listed in the U.S. and Canada.
- Local or remote control of up to (2) two Altronix eFlow power output(s) via LAN and/or WAN.
- Monitor real time diagnostics: DC output voltage, output current, AC & battery status/service, input trigger state change, output state change and unit temperature.
- Access control and user management: Restrict read/write, Restrict users to specific resources
- Two (2) integral network controlled Form "C" Relays.
- Three (3) programmable input triggers: Control relays and power supplies via external hardware sources.
- Email and Windows Dashboard notifications
- Event log tracks history.
- Secure Socket Layer (SSL).
- Programmable via USB or web browser - includes operating software and 6 ft. USB cable.

### LINQ2 Mounts Inside any Trove Enclosure

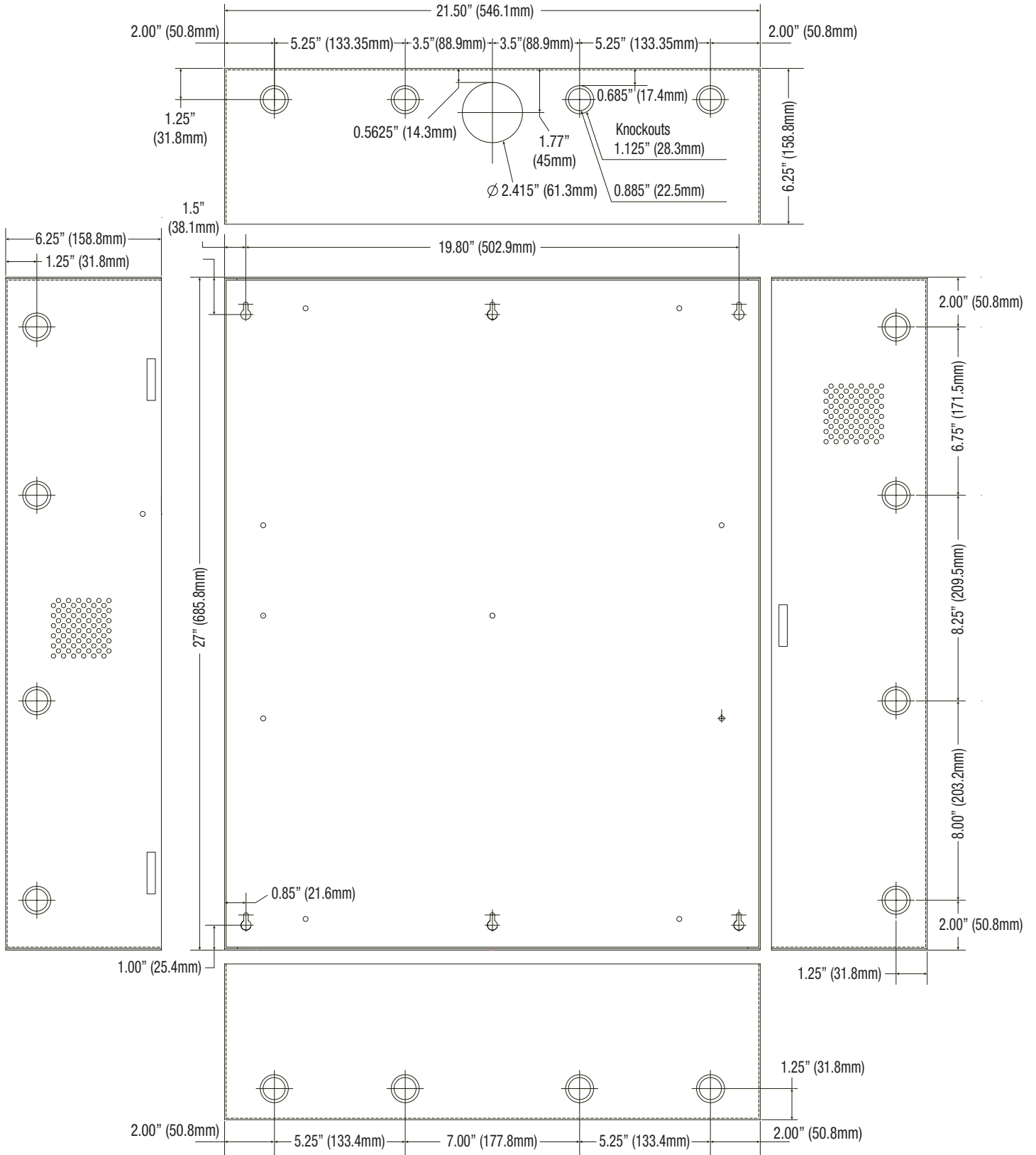


# TKH2 Dimensions (H x W x D):

25.375" x 19.375" x 0.5" (644.6mm x 492.1mm x 12.7mm)



## Trove2KH2 Enclosure Dimensions (H x W x D): 27.25" x 21.75" x 6.5" (692.15mm x 552.5mm x 165.1mm)



Altronix is not responsible for any typographical errors. Product specifications are subject to change without notice.

140 58th Street, Brooklyn, New York 11220 USA | phone: 718-567-8181 | fax: 718-567-9056  
 website: [www.altronix.com](http://www.altronix.com) | e-mail: [info@altronix.com](mailto:info@altronix.com)  
 IITroveKH

D29X

